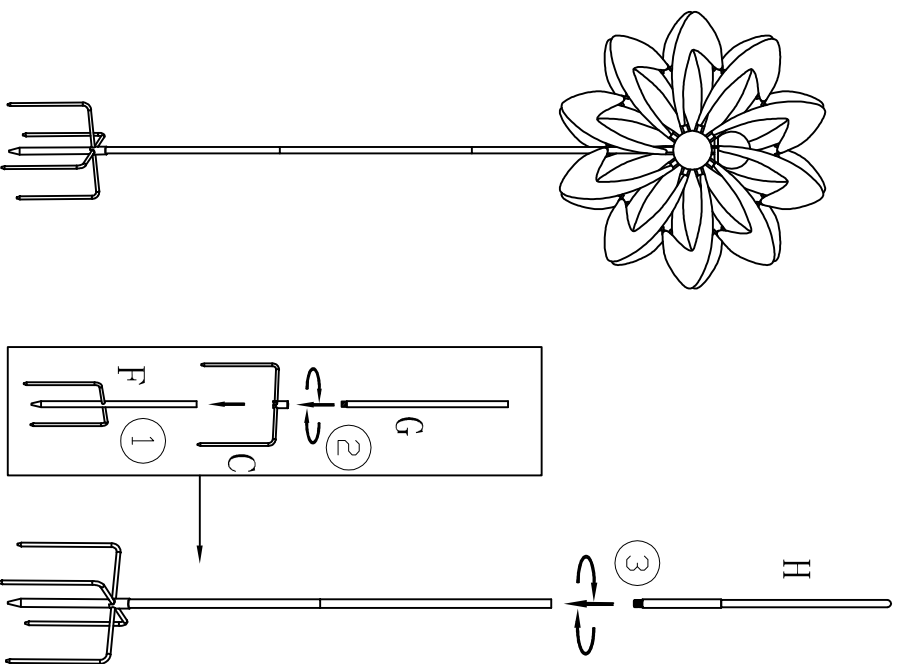
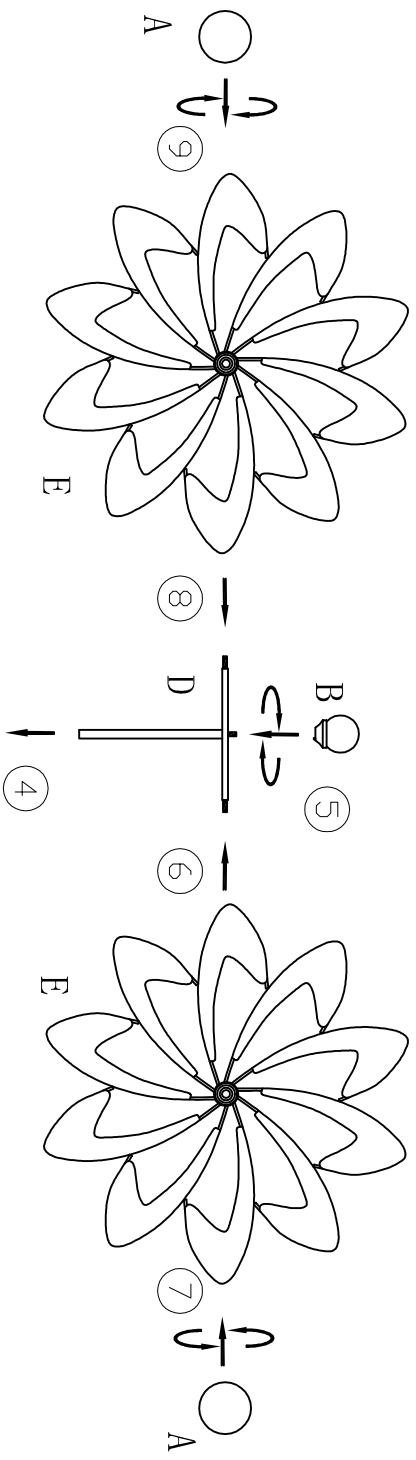

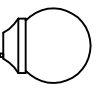

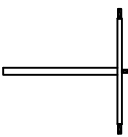
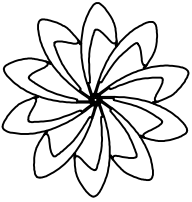
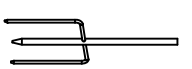
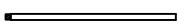



# ASSEMBLY INSTRUCTIONS



 A: 2 PCS	 B: 1 PC	 C: 1 PC
 D: 1 PC	 E: 2 PCS	
 F: 1 PC	 G: 1 PC	 H: 1 PC